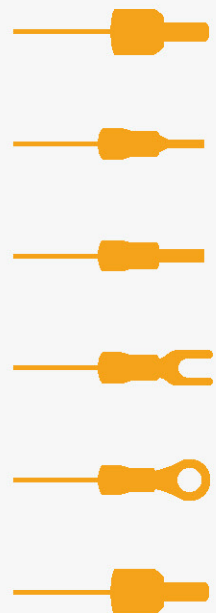


DOIN ELECTRIC

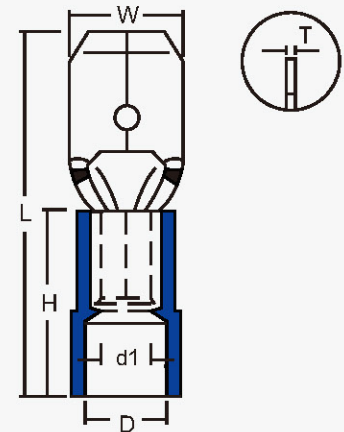
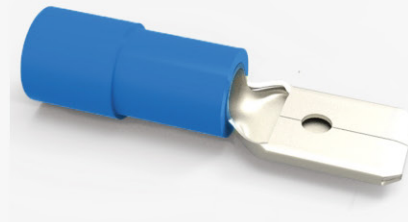


DEXIN ELECTRIC TECHNOLOGY

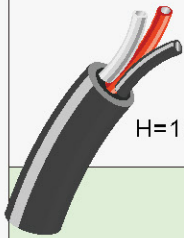
www.doinele.com



Male disconnect terminals



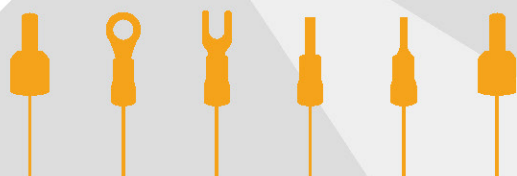
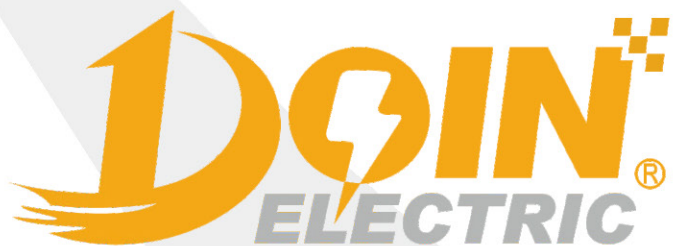
Available range	Single Grip	Double Grip	Tab Size	Dimensions (mm)		
				W	L	T
Cross-section: 0.75-1.5mm² A.W.G.: 22-16 I_{max}=10A Surface handling: Tin / 3μ Insulator colour: Red	MDD1.25-110(5)	MDG1.25-110(5)	2.8X0.5	2.8	18.5	0.5
	MDD1.25-110(8)	MDG1.25-110(8)	2.8X0.8			0.4
	MDD1.25-187(5)	MDG1.25-187(5)	4.8X0.5	4.80	19.0	0.5
	MDD1.25-187(8)	MDG1.25-187(8)	4.8X0.8			0.4
	MDD1.25-250	MDG1.25-250	6.35X0.8	6.35	21.0	0.4
Cross-section: 1.5-2.5mm² A.W.G.: 16-14 I_{max}=15A Surface handling: Tin / 3μ Insulator colour: Blue	MDD2-187(5)	MDG2-187(5)	4.8X0.5	4.80	19.0	0.5
	MDD2-187(8)	MDG2-187(8)	4.8X0.8			0.4
	MDD2-250	MDG2-250	6.35X0.8	6.35	21.0	0.4
Cross-section: 4-6mm² A.W.G.: 12-10 I_{max}=24A Surface handling: Tin / 3μ Insulator colour: Yellow	MDD5.5-250	MDG5.5-250	6.35X0.8	6.35	24.0	0.4



H=10.0 d1=1.7 D=4

H=10.0 d1=2.3 D=4.7

H=13.0 d1=3.4 D=5.5



WENZHOU DEXIN ELECTRICTECHNOLOGY CO., LTD

www.doinele.com

Add: No.1888 Feihong S.Road, 325608 Wenzhou City, Zhejiang Provice R.P.C.